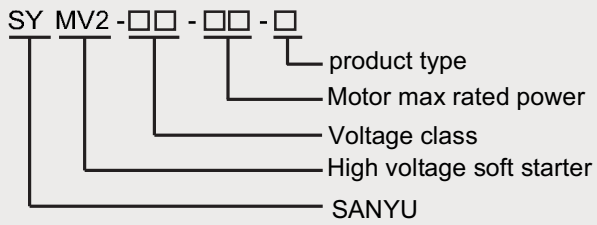




SYMA2 SERIES HIGH VOLTAGE SOFT STARTER



Model introduction ↘

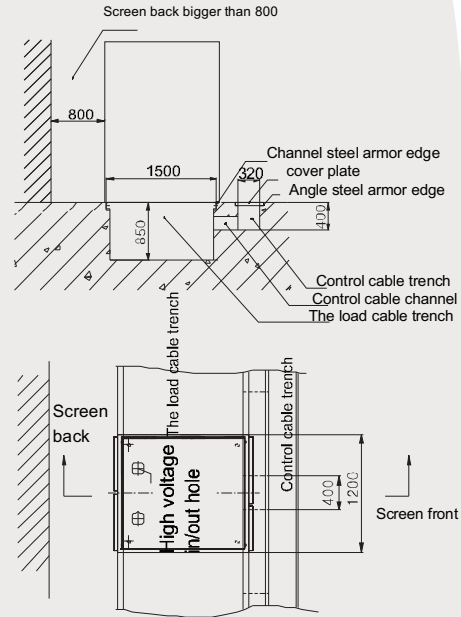
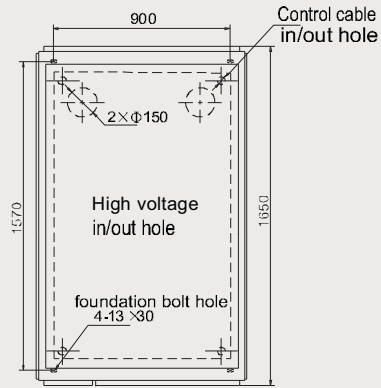
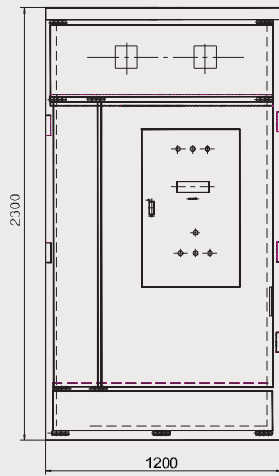


Products model introduction:

BZ is Standard model

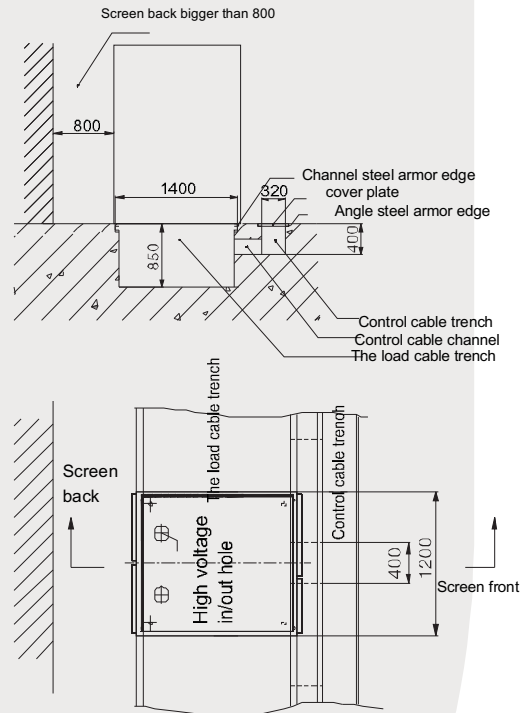
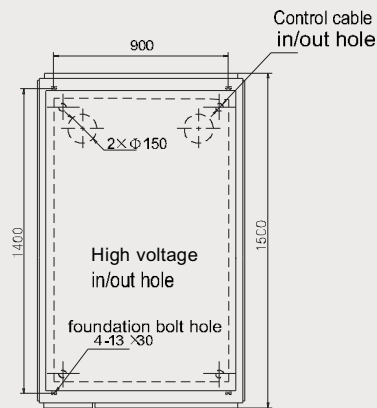
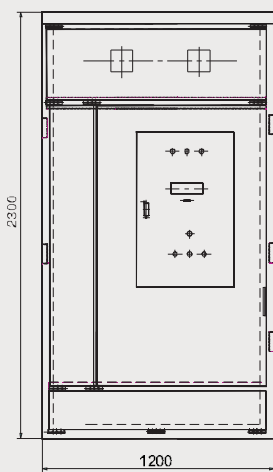


Dimension diagram



SYMV2-XXXX/10(6)-BZ soft starter dimension 1

SYMV2-XXXX/10(6)-BZ Soft sarter diagram 1



SYMV2-XXXX/10(6)-BZ soft starter dimension 2

SYMV2-XXXX/10(6)-BZ Soft sarter diagram 2

Soft starter standard size

Standard 6KV series

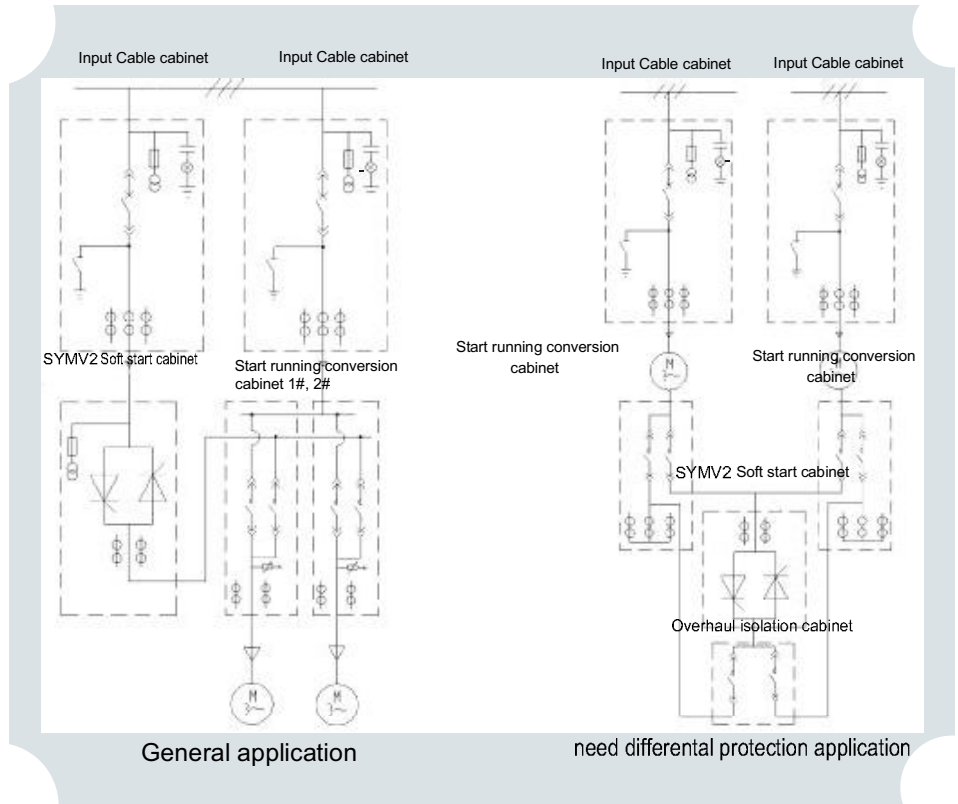
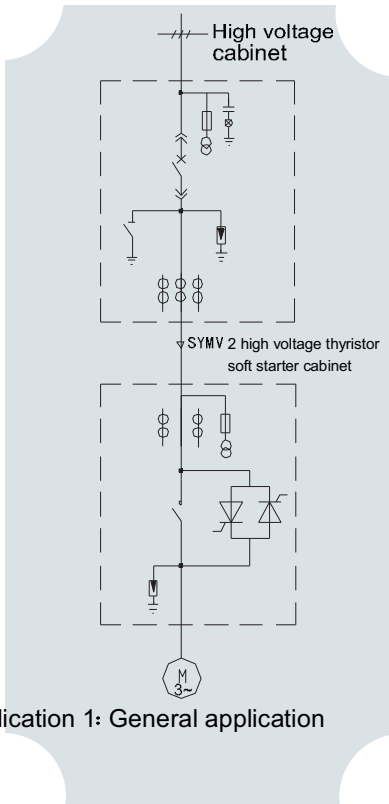
This one suit
your application

Item	Model	suitable motor(kw)	cabinet size 1(MM)	cabinet size2 (MM)	Bypass switch	In/out line	Remark
1	SYM2-300/6-BZ	300 and below	1200*1600*2300	1200*1500*2300	With bypass	bottom in/out	
2	SYM2-600/6-BZ	600 and below	1200*1600*2300	1200*1500*2300	With bypass	bottom in/out	
3	SYM2-900/6-BZ	900 and below	1200*1600*2300	1200*1500*2300	With bypass	bottom in/out	
4	SYM2-1000/6-BZ	1000 and below	1200*1600*2300	1200*1500*2300	With bypass	bottom in/out	
5	SYM2-1250/6-BZ	1250 and below	1200*1600*2300	1200*1500*2300	With bypass	bottom in/out	
6	SYM2-1800/6-BZ	1800 and below	1200*1600*2300	1200*1500*2300	With bypass	bottom in/out	
7	SYM2-2240/6-BZ	2240 and below	1200*1600*2300	1200*1500*2300	With bypass	bottom in/out	
8	SYM2-2800/6-BZ	2800 and below	1600*1600*2300	/	With bypass	bottom in/out	
9	SYM2-3150/6-BZ	3150 and below	1600*1600*2300	/	With bypass	bottom in/out	
10	SYM2-3550/6-BZ	3550 and below	1600*1600*2300	/	With bypass	bottom in/out	
11	SYM2-4000/6-BZ	4000 and below	1600*1600*2300	/	With bypass	bottom in/out	
12	SYM2-5000/6-BZ	5000 and below	1600*1600*2300	/	With bypass	bottom in/out	
13	SYM2-6300/6-BZ	6300 and below	2920 (without side plate)*1600*2300	1920*1600*2300	With bypass	bottom in/out	
14	SYM2-7100/6-BZ	7100 and below	2920 (without side plate)*1600*2300	1920*1600*2300	With bypass	bottom in/out	
15	SYM2-8000/6-BZ	8000 and below	2920 (without side plate)*1600*2300	1920*1600*2300	With bypass	bottom in/out	
16	SYM2-9000/6-BZ	9000 and below	2920 (without side plate)*1600*2300	1920*1600*2300	With bypass	bottom in/out	
17	SYM2-11500/6-BZ	11500 and below	2920 (without side plate)*1600*2300	1920*1600*2300	With bypass	bottom in/out	
18	SYM2-13000/6-BZ	13000 and below	2920 (without side plate)*1600*2300	1920*1600*2300	With bypass	bottom in/out	
19	SYM2-14500/6-BZ	14500 and below	customed	/			

Note: Above 6KV cabinet size is exclusive of cabinet door(50), side plate(20)

Typical application

One take two typical application



Application

The product can be widely used in the paper mill, coal mining, petroleum, chemical industry, electric power, water conservancy, war industry, metallurgy, steel, ship, sewage treatment, light industry, Railway, building materials, municipal engineering, pharmacy, etc.

